



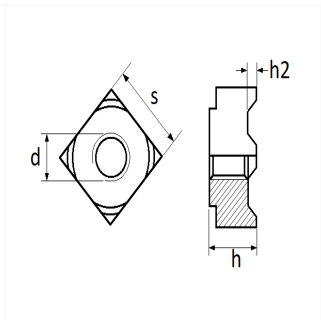
1 Allée des Bouleaux -F-95110 SANNOIS
 +33 (0)1 39 98 55 00
 info@restagraf.com

SQUARE WELD NUT 4 PROJECTIONS M6



Item code

207181



Technical informations	
d	M6 x 1.00
s	10 mm
h	5.8 mm
h2	0.8 mm

Materials

CLASS 7N STEEL

Manufacturer correspondence*

SUBSTITUTABLE 0008914606
 FOR NISSAN

* Non contractual information given as indication