



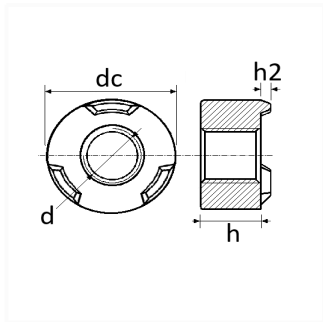
1 Allée des Bouleaux -F-95110 SANNOIS
 +33 (0)1 39 98 55 00
 info@restagraf.com

CYLINDRICAL WELD NUT 3 PROJECTIONS M10



Item code

206946



Technical informations	
d	M10 x 1.50
dc	18.5 mm
h	11 mm
h2	1.2 mm

Materials

CLASS 10 STEEL

Manufacturer correspondence*

SUBSTITUTABLE FOR VOLKSWAGEN N91229101

* Non contractual information given as indication