



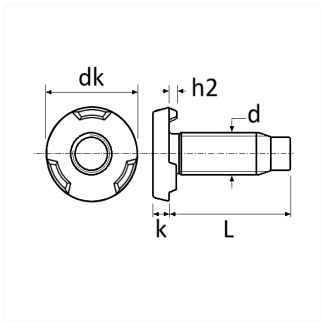
1 Allée des Bouleaux -F-95110 SANNOIS
 +33 (0)1 39 98 55 00
 info@restagraf.com

CYLINDRICAL HEAD WELD SCREW 3 PROJECTIONS M10 X 25 mm



Item code

206104



Technical informations	
dk	18 mm
k	4 mm
L	25 mm
h2	1.2 mm
d	M10 x 1.50

Materials

CLASS 8.8 STEEL

Manufacturer correspondence*

ALTERNATIVE TO 7703011316
 RENAULT

* Non contractual information given as indication