



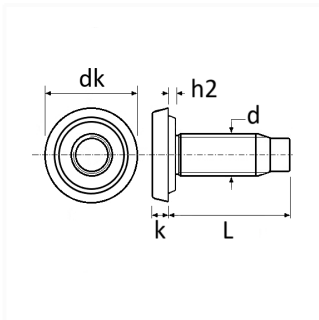
1 Allée des Bouleaux -F-95110 SANNOIS
 +33 (0)1 39 98 55 00
 info@restagraf.com

CYLINDRICAL HEAD WELD SCREW ANNULAR PROJECTION M6 X 30 mm



Item code

206077



Technical informations

dk	14.5 mm
k	2.5 mm
L	30 mm
h2	1 mm
d	M6 x 1.00

Materials

CLASS 8.8 STEEL

Manufacturer correspondence*

SUBSTITUTABLE 7903011378
 FOR PEUGEOT

* Non contractual information given as indication