



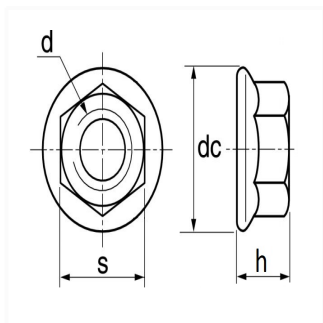
1 Allée des Bouleaux -F-95110 SANNOIS
 +33 (0)1 39 98 55 00
 info@restagraf.com

GRADE 8 HEXAGON FLANGE NUT M7-1.00



Item code

838



Technical informations	
s	11 mm
d	M7 x 1.00

Materials
STEEL

Manufacturer correspondence*			
CITROËN	7903037005	PEUGEOT	7903037005

* Non contractual information given as indication