



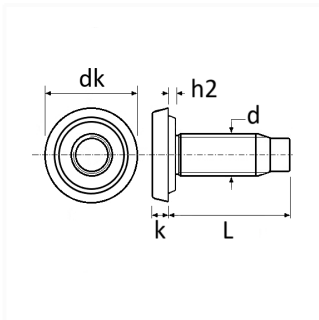
1 Allée des Bouleaux -F-95110 SANNOIS
 +33 (0)1 39 98 55 00
 info@restagraf.com

CYLINDRICAL HEAD WELD SCREW ANNULAR PROJECTION M10 X 30 mm



Item code

205486



Technical informations

dk	21 mm
k	4 mm
L	30 mm
h2	1.45 mm
d	M10 x 1.50

Materials

CLASS 8.8 STEEL

Manufacturer correspondence*

7903011466