



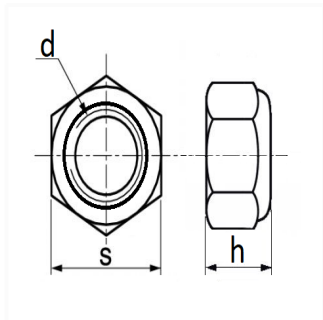
1 Allée des Bouleaux -F-95110 SANNOIS
 +33 (0)1 39 98 55 00
 info@restagraf.com

GRADE 8 SELF LOCKING NUT WITH NYLON INSERT M8-1.25 DIN 982



Item code

829



Technical informations	
s	13 mm
h	9.6 mm
d	M8 x 1.25

Materials

CLASS 8 STEEL

Manufacturer correspondence*

CITROËN	7903234003	PEUGEOT	7903234003
PEUGEOT	7903234024	RENAULT	7703034017
RENAULT	7703034027	RENAULT	7703034235
RENAULT	7703034237		

* Non contractual information given as indication