



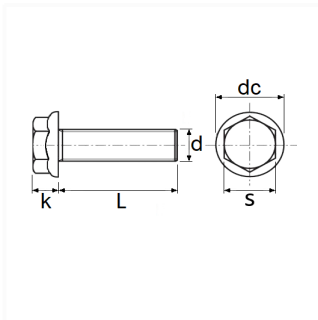
1 Allée des Bouleaux -F-95110 SANNOIS
 +33 (0)1 39 98 55 00
 info@restagraf.com

HEXAGON FLANGE HEAD METRIC SCREW M8 X 30 mm



Item code

95119



Technical informations

k	8.1 mm
dc	18 mm
d	M8 x 1.25

Materials

CLASS 8.8 STEEL

Manufacturer correspondence*

SUBSTITUTABLE 7903602025
 FOR PEUGEOT

* Non contractual information given as indication