



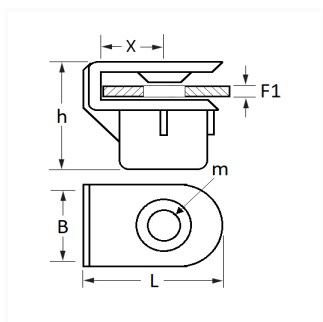
1 Allée des Bouleaux -F-95110 SANNOIS
 +33 (0)1 39 98 55 00
 info@restagraf.com

PLASTIC U-NUT Ø 5 mm



Item code

12020



Technical informations	
L	15.5 mm
B	15 mm
h	15.5 mm
X	8 mm
F1	2.5 → 3.5 mm
m	Vis Matériaux Tendres Ø 5 mm

Materials

POLYPROPYLENE & 30% FIBERGLASS

Manufacturer correspondence*

CITROËN	9406935E09	FORD Engineering number	4R8315266AA
FORD Engineering number	W715651S300	JAGUAR	4R8315266AA
JAGUAR	XR846154	LAND ROVER	4R8315266AA
LAND ROVER	DYH500110	LAND ROVER	LR045183
LAND ROVER	UH12025B26DZA	OPEL Part number	95525831

* Non contractual information given as indication