



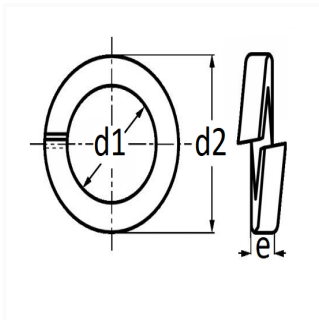
1 Allée des Bouleaux -F-95110 SANNOIS  
+33 (0)1 39 98 55 00  
info@restagraf.com

## SPRING LOCK WASHER Ø 7 mm NFE 25-515



Item code

572



### Technical informations

d1	7.5 mm
d2	11.4 mm
e	2 mm

### Materials

STEEL

### Manufacturer correspondence\*

RENAULT 7703055031

\* Non contractual information given as indication