



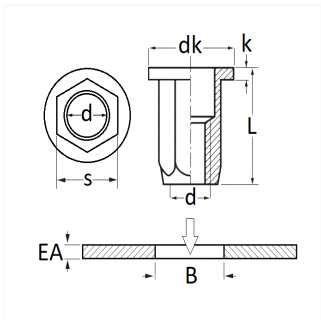
1 Allée des Bouleaux -F-95110 SANNOIS
 +33 (0)1 39 98 55 00
 info@restagraf.com

HEXAGONAL STEEL CRIMPING NUT M8-1.25 / 0,5 → 3 mm



Item code

10457



Technical informations	
dk	16 mm
k	1.5 mm
L	17.5 mm
d	M8 x 1.25
s	10.97 mm
B	11 mm
EA	0.5 → 3 mm

Materials
STEEL

Manufacturer correspondence*		
	9623083380	FIAT
		15624511

* Non contractual information given as indication