



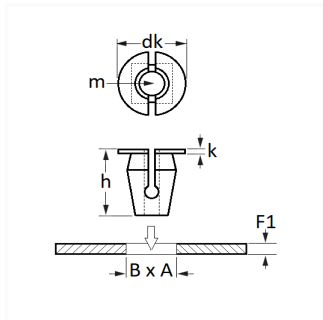
1 Allée des Bouleaux -F-95110 SANNOIS
 +33 (0)1 39 98 55 00
 info@restagraf.com

PLASTIC NUT Ø 4,2 mm



Item code

10373



| Technical informations | |
|------------------------|---------------------|
| dk | 22 mm |
| k | 2.5 mm |
| h | 20.5 mm |
| m | Vis à Tôle Ø 4.2 mm |
| B | 9.2 mm |
| A | 9.2 mm |
| F1 | 0.7 → 1 mm |

| |
|-----------------------------|
| Materials |
| POLYAMIDE 66+30% FIBERGLASS |

| Manufacturer correspondence* | | | |
|------------------------------|-------------|-------------------------|-------------|
| FORD Engineering number | W700158S300 | FORD Engineering number | W703978S300 |

* Non contractual information given as indication