



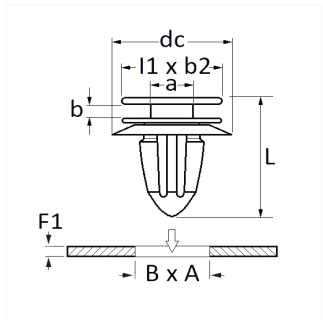
1 Allée des Bouleaux -F-95110 SANNOIS
 +33 (0)1 39 98 55 00
 info@restagraf.com

MOULDING CLIP 6,2 X 12,2 mm BODY SHELL BELTLINE



Item code

10077



Technical informations	
l1	16 mm
b2	9.5 mm
dc	21 mm
b	2.2 mm
a	1.8 mm
L	20.5 mm
B	6.2 mm
A	12.2 mm
F1	0.7 mm

Materials

POLYACETAL COPOLYMER

Manufacturer correspondence*

NISSAN	7883900QAA	RENAULT	7701047661
RENAULT	7701053517	RENAULT	7703077495

* Non contractual information given as indication