



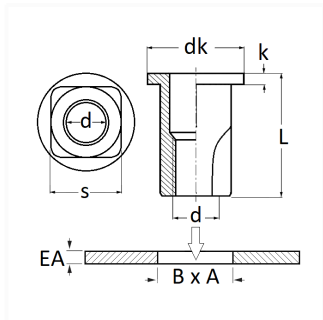
1 Allée des Bouleaux -F-95110 SANNOIS
 +33 (0)1 39 98 55 00
 info@restagraf.com

SQUARE STEEL CRIMPING NUT M6-1.00 / 0,8 → 1 mm



Item code

9829



Technical informations	
dk	13.5 mm
k	0.95 mm
L	15.5 mm
d	M6 x 1.00
s	9 mm
B	9.2 mm
A	9.2 mm
EA	0.5 → 2 mm

Materials
STEEL

Manufacturer correspondence*			
FIAT	15179511	NISSAN	0123600061

* Non contractual information given as indication