



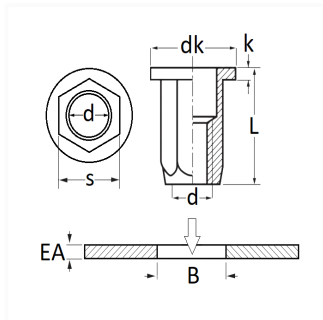
1 Allée des Bouleaux -F-95110 SANNOIS
 +33 (0)1 39 98 55 00
 info@restagraf.com

HEXAGONAL STEEL CRIMPING NUT M6-1.00 / 0,8 → 1 mm



Item code

9828



Technical informations	
dk	16 mm
k	2.5 mm
L	16.75 mm
d	M6 x 1.00
s	8.97 mm
B	9 mm
EA	0.8 → 1 mm

Materials

Manufacturer correspondence*	
FIAT	7677561

* Non contractual information given as indication