



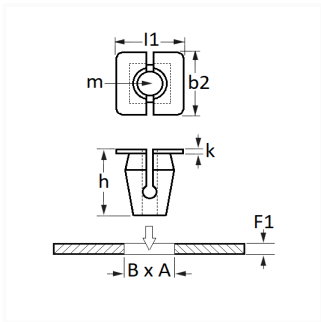
1 Allée des Bouleaux -F-95110 SANNOIS  
 +33 (0)1 39 98 55 00  
 info@restagraf.com

PLASTIC NUT Ø 4,2 mm DOOR EXTERIOR TRIM



Item code

9356



Technical informations	
l1	8.7 mm
b2	8.7 mm
k	1.2 mm
h	8.2 mm
m	Vis à Tôle Ø 4.2 mm
B	7.2 mm
A	7.2 mm
F1	0.6 → 1.8 mm

Materials

POLYAMIDE 66+30% FIBERGLASS

Manufacturer correspondence\*

NISSAN	0128100QAF	RENAULT	7703081160
--------	------------	---------	------------

\* Non contractual information given as indication