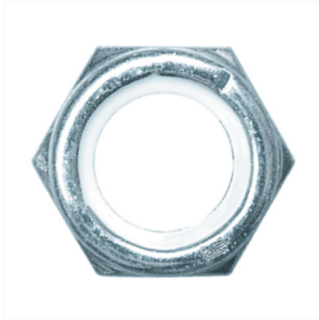




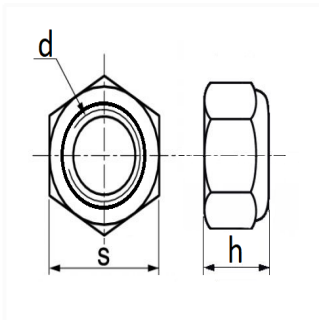
1 Allée des Bouleaux -F-95110 SANNOIS  
+33 (0)1 39 98 55 00  
info@restagraf.com

## GRADE 8 SELF LOCKING NUT WITH NYLON INSERT M20-1.50 DIN 985



Item code

7249



### Technical informations

s	30 mm
h	16.6 mm
d	M20 x 1.50

### Materials

CLASS 10 STEEL

### Manufacturer correspondence\*

RENAULT 7703034068

\* Non contractual information given as indication