



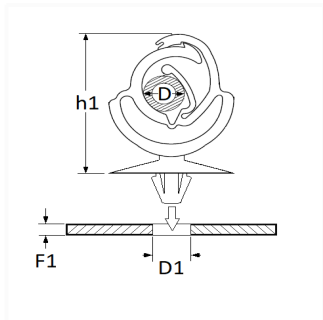
1 Allée des Bouleaux -F-95110 SANNOIS  
 +33 (0)1 39 98 55 00  
 info@restagraf.com

## AUTOMATIC CLIP Ø 6 → 12 mm WRING HARNESS



Item code

1245



Technical informations	
D	6 → 12 mm
h1	29 mm
D1	6.7 mm
F1	0.7 → 3 mm

### Materials

COPOLYMER POLYPROPYLENE

### Manufacturer correspondence\*

CITROËN	9619265080	NISSAN	4627200QAA
PEUGEOT	9619265080	RENAULT	7703079285

\* Non contractual information given as indication