



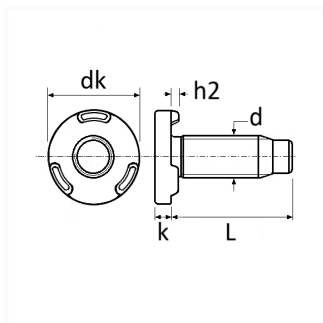
1 Allée des Bouleaux -F-95110 SANNOIS
 +33 (0)1 39 98 55 00
 info@restagraf.com

CYLINDRICAL HEAD WELD SCREW 3 PROJECTIONS M6 X 19 mm MAT



Item code

215053



Technical informations	
dk	18.5 mm
k	3.8 mm
L	19 mm
h2	1.2 mm
d	M6 x 1.00
Extrém.	Bout pilote MAT-point

Materials

CLASS 8.8 STEEL

Manufacturer correspondence*

SUBSTITUTABLE 11588316
 FOR OPEL

* Non contractual information given as indication