



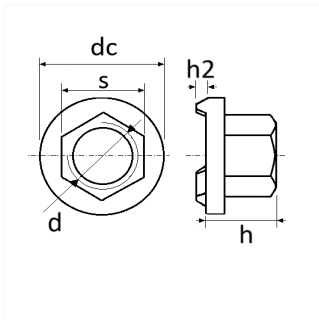
1 Allée des Bouleaux -F-95110 SANNOIS
 +33 (0)1 39 98 55 00
 info@restagraf.com

HEXAGON FLANGE WELD NUT 3 PROJECTIONS M10



Item code

215047



Technical informations	
d	M10 x 1.50
s	16 mm
h	13 mm
h2	1.2 mm
dc	26 mm

Materials

CLASS 8 STEEL

Manufacturer correspondence*

SUBSTITUTABLE 112865600A
 FOR TESLA

* Non contractual information given as indication