



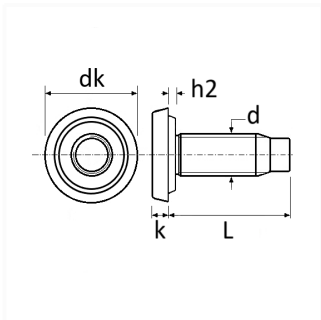
1 Allée des Bouleaux -F-95110 SANNOIS  
 +33 (0)1 39 98 55 00  
 info@restagraf.com

CYLINDRICAL HEAD WELD SCREW ANNULAR PROJECTION M6 X 30 mm



Item code

214885



Technical informations	
dk	14.5 mm
k	2.5 mm
L	30 mm
h2	1 mm
d	M6 x 1.00

Materials

CLASS 8.8 STEEL

Manufacturer correspondence\*

PEUGEOT	7903011378	PEUGEOT	9863961280
---------	------------	---------	------------

\* Non contractual information given as indication