



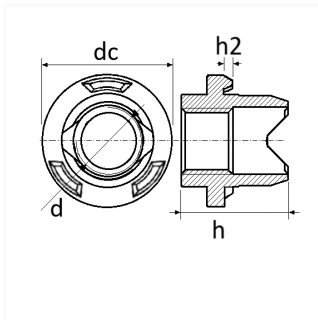
1 Allée des Bouleaux -F-95110 SANNOIS
 +33 (0)1 39 98 55 00
 info@restagraf.com

CYLINDRICAL SHOULDERED WELD NUT 3 PROJECTIONS M12



Item code

214879



Technical informations

d	M12 x 1.75
dc	45 mm
h	31.5 mm
h2	1 mm

Materials

CLASS 10 STEEL

Manufacturer correspondence*

PEUGEOT 9818197180

* Non contractual information given as indication