



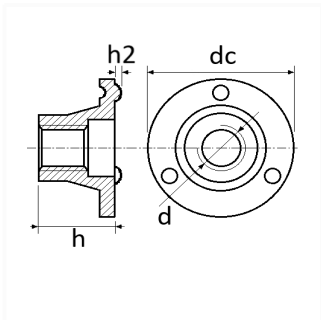
1 Allée des Bouleaux -F-95110 SANNOIS
 +33 (0)1 39 98 55 00
 info@restagraf.com

CYLINDRICAL WELD NUT 3 PROJECTIONS M10 X 1,25



Item code

214812



Technical informations	
d	M10 x 1.25
dc	28 mm
h	15 mm
h2	1 mm

Materials

CLASS 10 STEEL

Manufacturer correspondence*

SUBSTITUTABLE 7706042002
 FOR RENAULT

* Non contractual information given as indication