



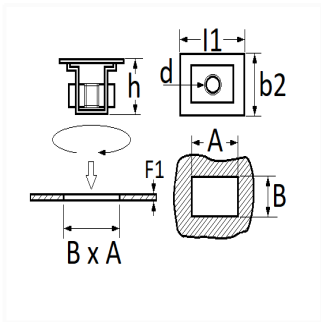
1 Allée des Bouleaux -F-95110 SANNOIS
 +33 (0)1 39 98 55 00
 info@restagraf.com

NYLON CAGE NUT M8-1.25



Item code

1147



Technical informations	
l1	24.6 mm
b2	16.2 mm
h	13.5 mm
d	M8 x 1.25
B	12.2 mm
A	19 mm
F1	0.4 → 3.6 mm

Materials

POLYAMIDE & STEEL

Manufacturer correspondence*

RENAULT	7703044098	RENAULT	7703044185
---------	------------	---------	------------

* Non contractual information given as indication