



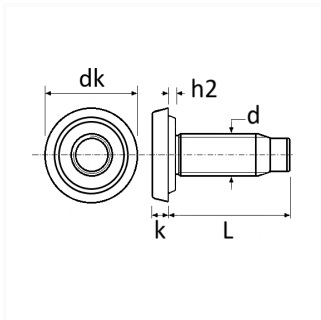
1 Allée des Bouleaux -F-95110 SANNOIS
 +33 (0)1 39 98 55 00
 info@restagraf.com

**CYLINDRICAL HEAD WELD SCREW ANNULAR PROJECTION M6 X 20 mm
 CYLINDRICAL PILOT END + PROGRESSIVE THREAD**



Item code

214534



Technical informations	
dk	14.5 mm
k	2.5 mm
L	20 mm
h2	1.25 mm
d	M6 x 1.00
typefilet	FILET PROGRESSIF

Materials	
CLASS 8.8 STEEL	

Manufacturer correspondence*	
PEUGEOT	9803779080

* Non contractual information given as indication