



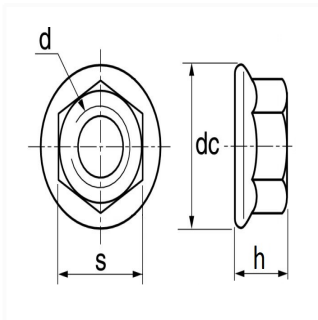
1 Allée des Bouleaux -F-95110 SANNOIS  
 +33 (0)1 39 98 55 00  
 info@restagraf.com

## HEXAGON FLANGE NUT M8



Item code

213781



### Technical informations

s	13 mm
h	8 mm
d	M8 x 1.25
dc	17.9 mm

### Materials

CLASS 10 STEEL

### Manufacturer correspondence\*

RENAULT 7703033183

\* Non contractual information given as indication